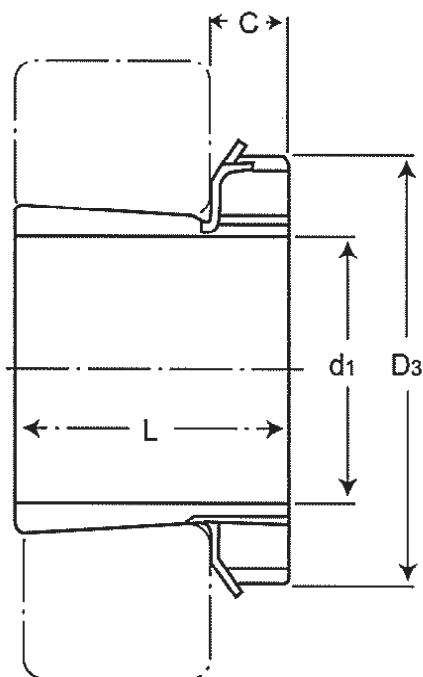
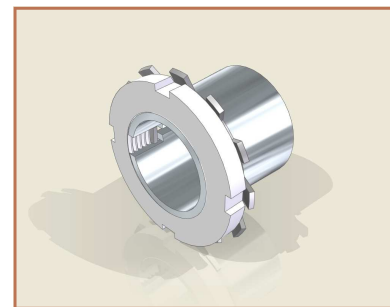


Manchon H2300



Référence	Dimensions							
	D1 (mm)	L (mm)	D3 (mm)	C (mm)	écrou	rondelle	filetage	Poids (kg)
H2304	17	31	32	7	KM 04	MB 04	M20 x 1	0.049
H2305	20	35	38	8	KM 05	MB 05	M25 x 1.5	0.087
H2306	25	38	45	8	KM 06	MB 06	M30 x 1.5	0.126
H2307	30	43	52	9	KM 07	MB 07	M35 x 1.5	0.165
H2308	35	46	58	10	KM 08	MB 08	M40 x 1.5	0.224
H2309	40	50	65	11	KM 09	MB 09	M45 x 1.5	0.280
H2310	45	55	70	12	KM 10	MB 10	M50 x 1.5	0.362
H2311	50	59	75	12	KM 11	MB 11	M55 x 2	0.420
H2312	55	62	80	13	KM 12	MB 12	M60 x 2	0.481
H2313	60	65	85	14	KM 13	MB 13	M65 x 2	0.557
H2315	65	73	98	15	KM 15	MB 15	M75 x 2	1.050
H2316	70	78	105	17	KM 16	MB 16	M80 x 2	1.280
H2317	75	82	110	18	KM 17	MB 17	M85 x 2	1.450
H2318	80	86	120	18	KM 18	MB 18	M90 x 2	1.690
H2319	85	90	125	19	KM 19	MB 19	M95 x 2	1.920
H2320	90	97	130	20	KM 20	MB 20	M100 x 2	2.150
H2321	95	101	140	20	KM 21	MB 21	M105 x 2	
H2322	100	105	145	21	KM 22	MB 22	M110 x 2	2.740