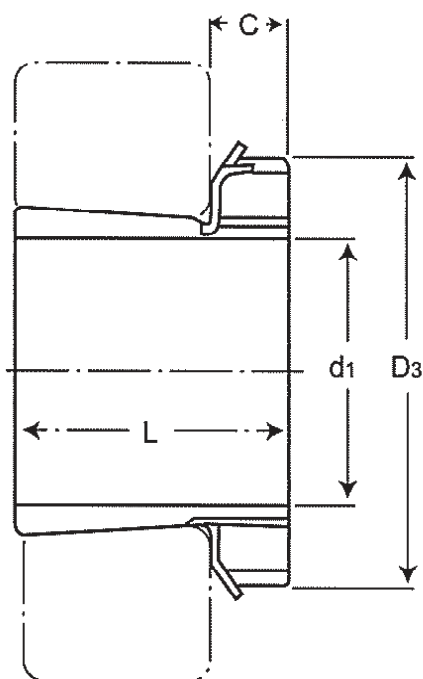


Manchon H200



Référence	Dimensions							
	d1	L	D3	C	écrou	rondelle	filetage	poids
H204	17	24	32	7	KM 04	MB 04	M20 x 1	0.041
H205	20	26	38	8	KM 05	MB 05	M25 x 1.5	0.07
H206	25	27	45	8	KM 06	MB 06	M30 x 1.5	0.099
H207	30	29	52	9	KM 07	MB 07	M35 x 1.5	0.125
H208	35	31	58	10	KM 08	MB 08	M40 x 1.5	0.174
H209	40	33	65	11	KM 09	MB 09	M45 x 1.5	0.227
H210	45	35	70	12	KM 10	MB 10	M50 x 1.5	0.274
H211	50	37	75	12	KM 11	MB 11	M55 x 2	0.308
H212	55	38	80	13	KM 12	MB 12	M60 x 2	0.346
H213	60	40	85	14	KM 13	MB 13	M65 x 2	0.401
H215	65	43	98	15	KM 15	MB 15	M75 x 2	0.707
H216	70	46	105	17	KM 16	MB 16	M80 x 2	0.882
H217	75	50	110	18	KM 17	MB 17	M85 x 2	1.020
H218	80	52	120	18	KM 18	MB 18	M90 x 2	1.190
H219	85	55	125	19	KM 19	MB 19	M95 x 2	1.370
H220	90	58	130	20	KM 20	MB 20	M100 x 2	1.149
H221	95	60	140	20	KM 21	MB 21	M105 x 2	1.650
H222	100	63	145	21	KM 22	MB 22	M110 x 2	1.930