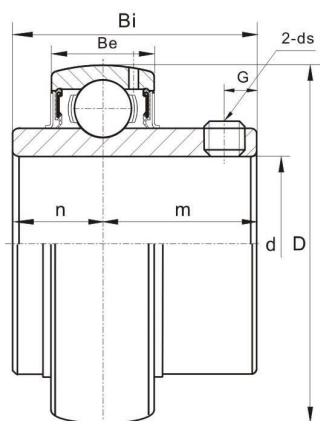


Roulement Bombé série UC 200



Joint normal



Joint triple sur demande

	Dimensions (mm)								Charges (kgf)		Masse (kg)
	d	D	Bi	Be	n	m	G	ds	Dyn	Stat	
	12	47	31	17	12.7	18.3	4.8	M6x1	1000	630	0.21
UC 202	15										0.19
UC 203	17										0.18
UC 204	20										0.16
UC 205	25	52	34	17	14.3	19.7	5.5	M6x1	1100	710	0.20
UC 206	30	62	38.1	19	15.9	22.2	6	M6x1	1520	1020	0.32
UC 207	35	72	42.9	20	17.5	25.4	6.5	M8x1	2010	1390	0.46
UC 208	40	80	49.2	21	19	30.2	8	M8x1	2560	1810	0.62
UC 209	45	85	49.2	22	19	30.2	8	M8x1	2560	1810	0.68
UC 210	50	90	51.6	24	19	32.6	10	M10x1	2750	2020	0.76
UC 211	55	100	55.6	25	22.2	33.4	10	M10x1	3400	2550	1.01
UC 212	60	110	65.1	27	25.4	39.7	10	M10x1	4100	3150	1.45
UC 213	65	120	65.1	28	25.4	39.7	10	M10x1	4480	3470	1.8
UC 214	70	125	74.6	30	30.2	44.4	12	M12x1.5	4870	3810	1.99
UC 215	75	130	77.8	30	33.3	44.5	12	M12x1.5	5190	4190	2.19
UC 216	80	140	82.6	33	33.3	49.3	14	M12x1.5	5700	4550	2.72
UC 217	85	150	85.7	35	34.1	51.6	14	M12x1.5	6600	5320	3.45
UC 218	90	160	96	37	39.7	56.3	14	M12x1.5	7500	6170	4.35