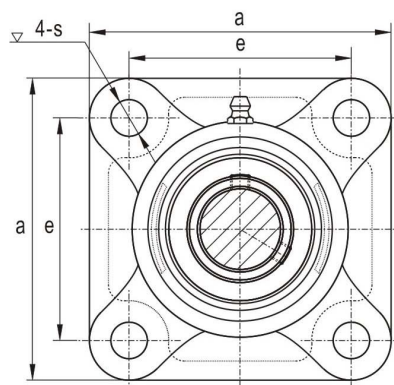
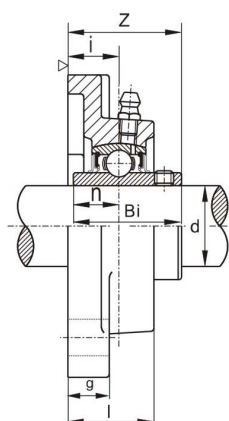


Palier applique série UCF 200



Joint normal



Joint triple sur demande

	Dimensions (mm)										vis	roule- ment	Masse (kg)
	d	a	e	i	g	l	S	Z	Bi	n			
UCF 201	12	86	64	15	12	25.5	12	33.3	31	12.7	M10	UC 201	0.63
UCF 202	15	86	64	15	12	25.5	12	33.3	31	12.7	M10	UC 202	0.63
UCF 203	17	86	64	15	12	25.5	12	33.3	31	12.7	M10	UC 203	0.63
UCF 204	20	86	64	15	12	25.5	12	33.3	31	12.7	M10	UC 204	0.63
UCF 205	25	95	70	16	14	27	12	35.7	34	14.3	M10	UC 205	0.82
UCF 206	30	108	83	18	14	31	12	40.2	38.1	15.9	M10	UC 206	1.1
UCF 207	35	117	92	19	16	34	14	44.4	42.9	17.5	M12	UC 207	1.5
UCF 208	40	130	102	21	16	36	16	51.2	49.2	19	M14	UC 208	1.9
UCF 209	45	137	105	22	18	38	16	52.2	49.2	19	M14	UC 209	2.3
UCF 210	50	143	111	22	18	40	16	54.6	51.6	19	M14	UC 210	2.5
UCF 211	55	162	130	25	20	43	19	58.4	55.6	22.2	M16	UC 211	3.4
UCF 212	60	175	143	29	20	48	19	68.7	65.1	25.4	M16	UC 212	4.4
UCF 213	65	187	149	30	20	50	19	69.7	65.1	25.4	M16	UC 213	5.3
UCF 214	70	193	152	31	24	54	19	75.4	74.6	30.2	M16	UC 214	6
UCF 215	75	200	159	35	24	57	19	79.5	77.8	33.3	M16	UC 215	6.6
UCF 216	80	208	165	35	24	59	23	84.3	82.6	33.3	M20	UC 216	7.5
UCF 217	85	220	175	36	26	63	23	87.6	85.7	34.1	M20	UC 217	9.1
UCF 218	90	235	187	42	26	70	23	98.3	96	39.7	M20	UC 218	11.3