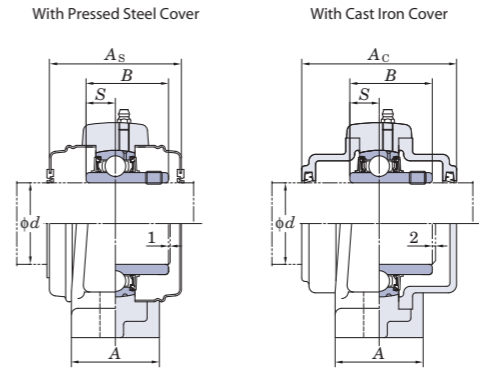
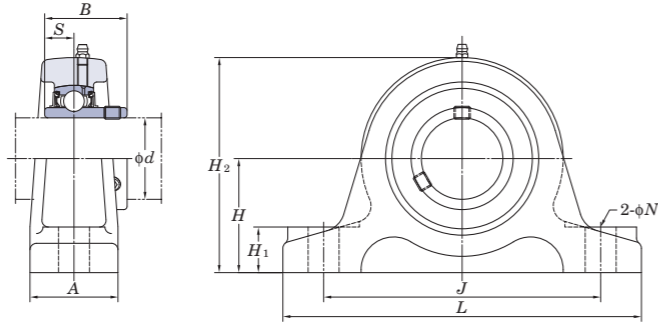
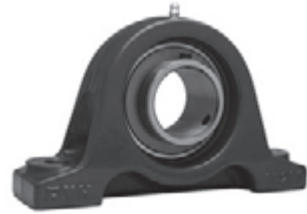


**UCIP**  
Cylindrical bore (with set screws)  
d 40 ~ 140 mm



Variations of tolerance of distance from mounting bottom to center of spherical bore ( $\Delta H_s$ ), variations of tolerance of distance between centers of bolt holes ( $\Delta J_s$ ) and variations of tolerance of bolt hole diameter ( $\Delta N_s$ )

Housing No.		$\Delta H_s$	$\Delta J_s$	$\Delta N_s$
IP208~IP210		$\pm 0.15$	$\pm 0.5$	$\pm 0.2$
IP211~IP213	IP313~IP318	$\pm 0.2$	$\pm 0.7$	$\pm 0.3$
	IP319~IP328	$\pm 0.3$		

Shaft Dia. mm inch  d	Dimensions inch mm										Bolt Size inch mm	Standard			Mass kg	Basic Load Ratings kN		Factor $f_0$	With Pressed Steel Cover				With Cast Iron Cover			
	H	L	A	J	N	H <sub>1</sub>	H <sub>2</sub>	B	S	Unit No.		Housing No.	Bearing No.	Open Type		One Side Closed Type	Dimension mm inch A <sub>s</sub>		Mass kg	Open Type	One Side Closed Type	Dimension mm inch A <sub>c</sub>	Mass kg			
40 1 1/2 1 9/16	2 23/64	7 7/8	2 3/8	5 29/32	3/4	3 1/32	4 17/32	1.937	0.748	5/8	IP208	UC208-24	29.1	17.8	14.0	—	—	—	—	—	—	—				
	60	200	60	150	19	25	115	49.2	19	M16		UC208-25				UC208	UCIP208C	UCIP208CD	69	2 23/32	3.4	UCIP208FC	UCIP208FCD	86	3 3/8	4.2
																UCIP209-26										
45 1 5/8 1 11/16 1 3/4	2 3/4	8 9/32	2 3/8	6 19/64	3/4	3 1/32	5 1/32	1.937	0.748	5/8	IP209	UC209-26	34.1	21.3	14.0	—	—	—	—	—	—	—				
	70	210	60	160	19	25	128	49.2	19	M16		UC209-27				UC209	UCIP209C	UCIP209CD	69	2 23/32	3.9	UCIP209FC	UCIP209FCD	88	3 15/32	4.7
																UCIP209-28										
50 1 7/8 1 15/16 2	2 3/4	8 21/32	2 3/8	6 11/16	3/4	1 3/32	5 3/16	2.031	0.748	5/8	IP210	UC210-30	35.1	23.3	14.4	—	—	—	—	—	—	—				
	70	220	60	170	19	28	132	51.6	19	M16		UC210-31				UC210	UCIP210C	UCIP210CD	74	2 29/32	4.8	UCIP210FC	UCIP210FCD	97	3 13/16	5.8
																UCIP210-32										
55 2 1/8 2 3/16	3 5/32	9 1/16	2 3/8	7 3/32	3/4	1 3/32	5 13/16	2.189	0.874	5/8	IP211	UC211-32	43.4	29.4	14.4	—	—	—	—	—	—	—				
	80	230	60	180	19	28	148	55.6	22.2	M16		UC211-34				UC211	UCIP211C	UCIP211CD	76	3	5.3	UCIP211FC	UCIP211FCD	99	3 29/32	6.3
																UCIP211-35										
60 2 1/4 2 3/8 2 7/16	3 5/32	10 1/4	2 3/4	7 7/8	7/8	1 3/16	6 3/32	2.563	1.000	3/4	IP212	UC212-36	52.4	36.2	14.4	—	—	—	—	—	—	—				
	80	260	70	200	22	30	155	65.1	25.4	M20		UC212				UC212	UCIP212C	UCIP212CD	89	3 1/2	7.2	UCIP212FC	UCIP212FCD	114	4 1/2	8.7
																UCIP212-38										
65 2 1/2 2 1/2	3 35/64	11 1/32	2 3/4	8 21/32	7/8	1 3/16	6 25/32	2.563	1.000	3/4	IP213	UC213-40	57.2	40.1	14.4	—	—	—	—	—	—	—				
	90	280	70	220	22	30	172	65.1	25.4	M20		UC213				UC213	UCIP213C	UCIP213CD	89	3 1/2	8.8	UCIP213FC	UCIP213FCD	114	4 1/2	10.5
																UCIP213-40										
70 2 3/4 2 3/4	4 21/64	12 7/32	2 3/4	9 27/32	7/8	1 3/16	8 3/16	2.953	1.181	3/4	IP313	UC313-40	92.7	59.9	13.2	—	—	—	—	—	—	—				
	110	310	70	250	22	30	208	75	30	M20		UC313				UC313	UCIP313C	UCIP313CD	122	4 13/16	13.4	UCIP313C	UCIP313CD	122	4 13/16	15.5
																UCIP314-44										
75 2 15/16 3	4 21/64	13	2 15/16	10 5/8	3 1/32	1 3/8	8 15/32	3.071	1.299	7/8	IP314	UC314-44	104	68.2	13.2	—	—	—	—	—	—	—				
	110	330	75	270	25	35	215	78	33	M22		UC314				UC314	UCIP314C	UCIP314CD	124	4 7/8	15.3	UCIP314C	UCIP314CD	124	4 7/8	17.6
																UCIP315-47										
80 —	4 23/32	13 3/8	2 15/16	11 1/32	3 1/32	1 3/8	9 1/16	3.228	1.260	7/8	IP315	UC315-47	113	77.2	13.2	—	—	—	—	—	—	—				
	120	340	75	280	25	35	230	82	32	M22		UC315				UC315	UCIP315C	UCIP315CD	134	5 9/32	17.6	UCIP315C	UCIP315CD	134	5 9/32	20.1
																UCIP315-48										
85 —	4 23/32	13 25/32	3 11/32	11 27/64	3 1/32	1 9/16	9 1/4	3.386	1.339	7/8	IP316	UC316	123	86.7	13.3	—	—	—	—	—	—	—				
	120	350	85	290	25	40	235	86	34	M22		UC316				UC316	UCIP316C	UCIP316CD	138	5 7/16	20.3	UCIP316C	UCIP316CD	138	5 7/16	23.2
																UCIP317										
90 3 1/2 —	5 1/8	14 9/16	3 11/32	12 13/64	3 1/32	1 9/16	10 1/32	3.780	1.575	7/8	IP317	UC317	133	96.8	13.3	—	—	—	—	—	—	—				
	130	370	85	310	25	40	255	96	40	M22		UC317				UC317	UCIP317C	UCIP317CD	146	5 3/4	25.9	UCIP317C	UCIP317CD	146	5 3/4	29.2
																UCIP318-56										
95 —	5 1/8	15 3/4	3 11/32	13	1 5/32	1 25/32	10 1/4	3.780	1.575	1	IP318	UC318-56	143	107	13.3	—	—	—	—	—	—	—				
	130	400	85	330	29	45	260	96	40	M27		UC318				UC318	UCIP318C	UCIP318CD	150	5 29/32	28.6	UCIP318C	UCIP318CD	150	5 29/32	32.4
																UCIP319										
100 3 15/16 4	5 29/32	16 5/32	3 11/32	13 25/64	1 5/32	1 25/32	11 7/32	4.055	1.614	1	IP319	UC319	153	119	13.3	—	—	—	—	—	—	—				
	150	410	85	340	29	45	285	103	41	M27		UC319				UC319	UCIP319C	UCIP319CD	162	6 3/8	31.7	UCIP319C	UCIP319CD	162	6 3/8	36.0
																UCIP320										
110 —	5 29/32	16 15/16	3 11/32	14 11/64	1 5/32	1 25/32	11 5/8	4.252	1.654	1	IP320	UC320	173	141	13.2	—	—	—	—	—	—	—				
	150	430	85	360	29	45	295	108	42	M27		UC320-63				UC320-64	UCIP320C	UCIP320CD	174	6 27/32	36.9	UCIP320C	UCIP320CD	174	6 27/32	42.5
																UCIP322										
120 —	6 11/16	19 9/32	3 15/16	16 9/64	1 1/4	1 31/32	13 3/16	4.606	1.811	1 1/8	IP322	UC322	205	180	13.2	—	—	—	—	—	—	—				
	170	490	100	410	32	50	335	117	46	M30		UC322				UC322	UCIP322C	UCIP322CD	188	7 13/32	52.4	UCIP322C	UCIP322CD	188	7 13/32	59.2
																UCIP324										
130 —	6 11/16	20 3/32	3 15/16	16 59/64	1 1/4	1 31/32	13 19/32	4.961	2.008	1 1/8	IP324	UC324	207	185	13.5	—	—	—	—	—	—	—				
	170	510	100	430	32	50	345	126	51	M30		UC324				UC324	UCIP324C	UCIP324CD	196	7 23/32	58.7	UCIP324C	UCIP324CD	196	7 23/32	68.2
																UCIP326										
140 —	7 7/8	21 21/32	4 11/32	18 1/2	1 1/4	1 31/32	15 11/32	5.315	2.126	1 1/8	IP326	UC326	229	214	13.6	—	—	—	—	—	—	—				
	200	550	110	470	32	50	390	135	54	M30		UC326				UC326	UCIP326C	UCIP326CD	214	8 7/16	76.2	UCIP326C	UCIP326CD	214	8 7/16	88.3
																UCIP328										
140 —	7 7/8	23 7/32	4 11/32	19 11/16	1 3/8	2 5/32	15 3/4	5.709	2.323	1 1/4	IP328	UC328	253	246	13.6	—	—	—	—	—	—	—				
	200	590	110	500	35	55	400	145	59	M33		UC328				UC328	UCIP328C	UCIP328CD	222	8 3/4	87.0	UCIP328C	UCIP328CD	222	8 3/4	102

Remarks 1. In Part No. of unit and units with covers, fitting codes follow bore diameter numbers. (See Table 10.5 in P.62.)  
2. Part No. of applicable grease fittings are shown below.  
A-1/4-28UNF ..... 208~210  
A-R1/8..... 211~213, 313~328

3. As for the triple seal type product, suffix code L3 follows the Part No. of unit or bearing.  
(Example of Part No. : UCIP208JL3, UC208L3)  
4.