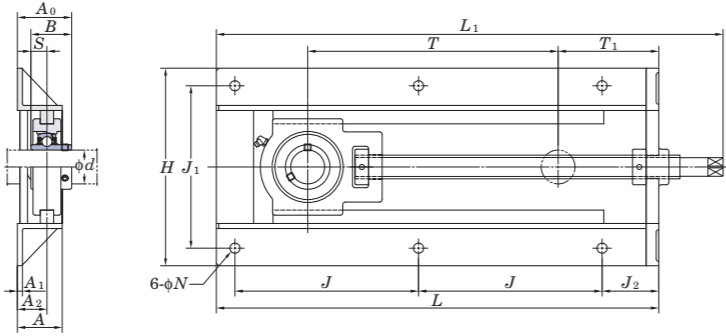
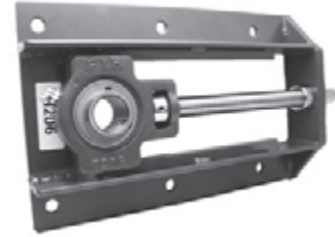
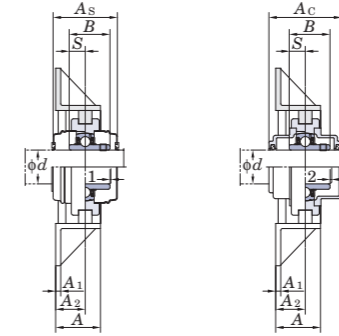


UCTH
Cylindrical bore (with set screws)
d 12 ~ 65 mm



With Pressed Steel Cover With Cast Iron Cover



Variations of tolerance of distance between centers of bolt holes ($\Delta J_n, \Delta J_{1n}$)

Nominal unit code	ΔJ_n	ΔJ_{1n}
UCTH201~UCTH213	±0.5	±0.5

Unit: mm

Shaft Dia. mm inch	Dimensions inch mm	Bolt Size inch mm	Standard Unit No.	Bearing No.	Mass kg	Basic Load Ratings kN C_r C_{or}	Factor f_0	With Pressed Steel Cover			With Cast Iron Cover			
								Unit No.	Dimension mm inch	Mass kg	Unit No.	Dimension mm inch	Mass kg	
d	H L L ₁ A J J ₁ J ₂ N T T ₁ A ₁ A ₂ A ₀ B S							Open Type	One Side Closed Type	As	Open Type	One Side Closed Type	Ac	
12			UCTH201-150	UC201	6.7			UCTH201C-150	UCTH201CD-150	45 1 25/32	6.7	—	—	—
15			UCTH201-8-150	UC201-8	6.7			—	—	—	—	—	—	—
15	7 7/8 12 17/32 14 13/16 1 31/32 4 39/64 6 1/16 2 9/16 15/32 6 1/32 3 15/32 1/4 1 7/64 1 13/16 1.220 0.500	3/8	UCTH202-150	UC202	6.7			UCTH202C-150	UCTH202CD-150	45 1 25/32	6.7	—	—	—
17	200 318 376 50 117 154 65 12 153 88 6 28 46.3 31 12.7	M10	UCTH202-10-150	UC202-10	6.7	12.8 6.65	13.2	—	—	—	—	—	—	—
17			UCTH203-150	UC203	6.7			UCTH203C-150	UCTH203CD-150	45 1 25/32	6.7	—	—	—
20			UCTH204-12-150	UC204-12	6.7			—	—	—	—	—	—	—
20			UCTH204-150	UC204	6.7			UCTH204C-150	UCTH204CD-150	45 1 25/32	6.7	UCTH204FC-150	UCTH204FCD-150	62 2 7/16
25			UCTH205-14-150	UC205-14	6.7			—	—	—	—	—	—	—
25	7 7/8 12 17/32 14 27/32 1 31/32 4 39/64 6 1/16 2 9/16 15/32 5 31/32 3 15/32 1/4 1 7/64 1 7/8 1.343 0.563	3/8	UCTH205-15-150	UC205-15	6.7	14.0 7.85	13.9	—	—	—	—	—	—	—
25	200 318 377 50 117 154 65 12 152 88 6 28 47.8 34.1 14.3	M10	UCTH205-150	UC205	6.7			UCTH205C-150	UCTH205CD-150	49 1 15/16	6.7	UCTH205FC-150	UCTH205FCD-150	66 2 19/32
25			UCTH205-16-150	UC205-16	6.7			—	—	—	—	—	—	—
30			UCTH206-18-150	UC206-18	8.0			—	—	—	—	—	—	—
30	8 3/8 13 7/32 16 1/32 1 31/32 4 31/32 6 17/32 2 9/16 15/32 5 5/8 3 15/16 1/4 1 17/64 2 1/8 1.500 0.626	3/8	UCTH206-150	UC206	8.0	19.5 11.3	13.9	UCTH206C-150	UCTH206CD-150	53 2 3/32	8.0	UCTH206FC-150	UCTH206FCD-150	70 2 3/4
30	213 336 407 50 126 166 65 12 143 100 6 32 54.2 38.1 15.9	M10	UCTH206-19-150	UC206-19	8.0			—	—	—	—	—	—	—
30			UCTH206-20-150	UC206-20	8.0			—	—	—	—	—	—	—
35			UCTH207-20-230	UC207-20	10.5			—	—	—	—	—	—	—
35	8 3/8 16 15/16 19 11/16 1 31/32 6 13/16 6 17/32 2 9/16 15/32 8 5/8 4 7/32 1/4 1 17/64 2 1/4 1.689 0.689	3/8	UCTH207-21-230	UC207-21	10.5			—	—	—	—	—	—	—
35	213 430 500 50 173 166 65 12 219 107 6 32 57.4 42.9 17.5	M10	UCTH207-22-230	UC207-22	10.5	25.7 15.4	13.9	—	—	—	—	—	—	—
35			UCTH207-230	UC207	10.5			UCTH207C-230	UCTH207CD-230	60 2 3/8	10.5	UCTH207FC-230	UCTH207FCD-230	78 3 1/16
35			UCTH207-23-230	UC207-23	10.5			—	—	—	—	—	—	—
40			UCTH208-24-300	UC208-24	12.5			—	—	—	—	—	—	—
40	9 7/32 20 19/32 23 19/32 1 31/32 8 35/64 7 9/16 2 5/8 15/32 11 21/32 4 11/16 1/4 1 3/8 2 9/16 1.937 0.748	3/8	UCTH208-25-300	UC208-25	12.5	29.1 17.8	14.0	—	—	—	—	—	—	—
40	234 523 599 50 217 192 67 12 296 119 6 35 65.2 49.2 19	M10	UCTH208-300	UC208	12.5			UCTH208C-300	UCTH208CD-300	69 2 23/32	12.5	UCTH208FC-300	UCTH208FCD-300	86 3 3/8
45			UCTH209-26-300	UC209-26	12.4			—	—	—	—	—	—	—
45	9 7/32 20 19/32 23 17/32 1 31/32 8 35/64 7 9/16 2 5/8 15/32 11 11/16 4 21/32 1/4 1 3/8 2 9/16 1.937 0.748	3/8	UCTH209-27-300	UC209-27	12.4	34.1 21.3	14.0	—	—	—	—	—	—	—
45	234 523 598 50 217 192 67 12 297 118 6 35 65.2 49.2 19	M10	UCTH209-28-300	UC209-28	12.4			—	—	—	—	—	—	—
45			UCTH209-300	UC209	12.4			UCTH209C-300	UCTH209CD-300	69 2 23/32	12.4	UCTH209FC-300	UCTH209FCD-300	88 3 15/32
50			UCTH210-30-300	UC210-30	12.6			—	—	—	—	—	—	—
50	9 7/32 20 3/4 23 3/4 1 31/32 8 5/8 7 9/16 2 5/8 19/32 11 21/32 4 3/4 1/4 1 3/8 2 21/32 2.031 0.748	7/16	UCTH210-31-300	UC210-31	12.6	35.1 23.3	14.4	—	—	—	—	—	—	—
50	234 527 603 50 219 192 67 15 296 121 6 35 67.6 51.6 19	M12	UCTH210-300	UC210	12.6			UCTH210C-300	UCTH210CD-300	74 2 29/32	12.6	UCTH210FC-300	UCTH210FCD-300	97 3 13/16
50			UCTH210-32-300	UC210-32	12.6			—	—	—	—	—	—	—
55			UCTH211-32-300	UC211-32	20.1			—	—	—	—	—	—	—
55	11 31/32 21 15/32 24 3/4 2 9/16 9 1/16 9 7/16 2 15/32 19/32 11 15/32 5 9/16 1/4 1 1/2 2 13/16 2.189 0.874	7/16	UCTH211-34-300	UC211-34	20.1	43.4 29.4	14.4	—	—	—	—	—	—	—
55	304 545 629 65 230 240 63 15 291 141 6 38 71.4 55.6 22.2	M12	UCTH211-300	UC211	20.1			UCTH211C-300	UCTH211CD-300	76 3	20.1	UCTH211FC-300	UCTH211FCD-300	99 3 29/32
55			UCTH211-35-300	UC211-35	20.1			—	—	—	—	—	—	—
60			UCTH212-36-300	UC212-36	21.4			—	—	—	—	—	—	—
60	11 31/32 22 15/32 25 5/8 2 9/16 9 9/16 9 7/16 2 15/32 19/32 11 11/32 6 1/16 1/4 1 1/2 3 1/16 2.563 1.000	7/16	UCTH212-300	UC212	21.4	52.4 36.2	14.4	UCTH212C-300	UCTH212CD-300	89 3 1/2	21.4	UCTH212FC-300	UCTH212FCD-300	114 4 1/2
60	304 571 651 65 243 240 63 15 288 154 6 38 77.7 65.1 25.4	M12	UCTH212-38-300	UC212-38	21.4			—	—	—	—	—	—	—
60			UCTH212-39-300	UC212-39	21.4			—	—	—	—	—	—	—
65			UCTH213-40-300	UC213-40	25.5			—	—	—	—	—	—	—
65	13 1/16 23 31/32 28 1/16 2 9/16 10 15/64 10 15/64 2 5/8 19/32 11 13/16 7 1/4 1 11/16 3 1/4 2.563 1.000	7/16	UCTH213-300	UC213	25.5	57.2 40.1	14.4	UCTH213C-300	UCTH213CD-300	89 3 1/2	25.5	UCTH213FC-300	UCTH213FCD-300	114 4 1/2

Remarks 1. In Part No. of unit and units with covers, fitting codes follow bore diameter numbers. (See Table 10.5 in P.62.)

2. Part No. of applicable grease fittings are shown below.

B-1/4-28UNF..... 201~210

B-R1/8..... 211~213

3. As for the triple seal type product (from 201 to 205 are the double seal type products), suffix code L3 (or L2) follows the Part No. of unit or bearing. (Example of Part No. : UCTH206JL3-150, UC206L3)

4. If heavy load ($P_r/C_r > 0.12$), vibration, or impact occurs, contact with FYH.

5. For the dimensions and forms of applicable bearings, see the dimensional tables of ball bearing for unit.

6. Tapered bore (with adapter) type products are also available.

(Example of Part No. : UKTH205J-150 + H2305X, UK205 + H2305X)