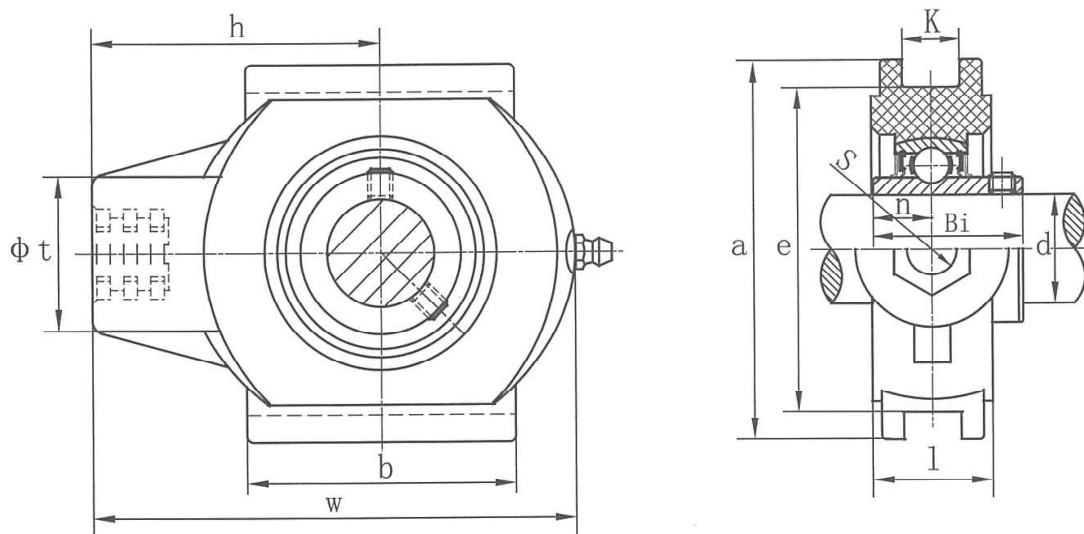
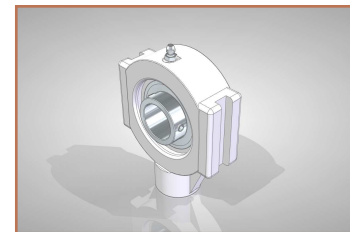


Coulisseau tendeur **UCTV 200**

- Corps de palier en résine thermoplastique alimentaire
- Roulement auto-aligneur Inox.



| Références | Dimensions (mm) | | | | | | | | | | | Roulement | Poids (kg) | |
|-------------|-------------------|-----|----|-----|------|----|-----|------|------|------|-----|-----------|--------------|------|
| | Ød | w | h | a | l | K | e | b | n | Bi | Øt | | | S |
| UCTV 201 SS | 12 | 99 | 64 | 88 | 27.5 | 12 | 76 | 47 | 12.7 | 31 | 36 | M16 | UC 201 SS | 0.37 |
| UCTV 202 SS | 15 | | | | | | | | | | | | UC 202 SS | 0.35 |
| UCTV 203 SS | 17 | | | | | | | | | | | | UC 203 SS | 0.34 |
| UCTV 204 SS | 20 | | | | | | | | | | | | UC 204 SS | 0.32 |
| UCTV 205 SS | 25 | | | | | | | | | | | | UC 205 SS | 0.37 |
| UCTV 206 SS | 30 | 125 | 76 | 102 | 34.5 | 89 | 63 | 15.9 | 38.4 | 40 | M16 | UC 206 SS | 0.54 | |
| UCTV 207 SS | 35 | | | | | | | | | | | UC 207 SS | 0.72 | |
| UCTV 208 SS | 40 | | | | | | | | | | | UC 208 SS | 1.00 | |
| UCTV 209 SS | 45 | 149 | 90 | 117 | 40 | 16 | 102 | 85 | 19 | 49.2 | 50 | M20 | UC 209 SS | 1.16 |
| UCTV 210 SS | 50 | | | | | | | | | | | | UC 210 SS | 1.31 |