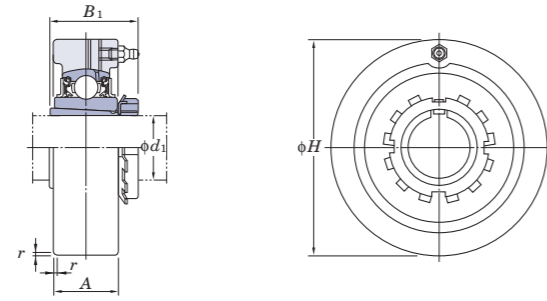


**UKC**  
Tapered bore (with adapter)  
 $d_1$  20 ~ (50) mm



| Shaft Dia.<br>mm inch | Dimensions<br>inch mm |              |               |             | Unit No.      | Housing No. | Bearing No. | Basic Load Ratings<br>kN |           | Factor<br>$f_0$ | Adapter No.        | Mass<br>kg |
|-----------------------|-----------------------|--------------|---------------|-------------|---------------|-------------|-------------|--------------------------|-----------|-----------------|--------------------|------------|
|                       | $d_1$                 | H            | A             | r           |               |             |             | $B_1$                    | $C_r$     |                 |                    |            |
| 20                    | 3/4                   | 3.150<br>80  | 55/64<br>22   | 0.06<br>1.5 | 1 3/8<br>35   | UKC205      | C205        | UK205                    | 14.0 7.85 | 13.9            | HE2305X<br>H2305X  | 0.7        |
|                       | 3/4                   | 3.543<br>90  | 1 1/16<br>27  | 0.06<br>1.5 | 1 3/8<br>35   | UKCX05      | CX05        | UKX05                    | 19.5 11.3 | 13.9            | HE2305X<br>H2305X  | 0.99       |
|                       | 3/4                   | 3.543<br>90  | 1 1/32<br>26  | 0.08<br>2   | 1 3/8<br>35   | UKC305      | C305        | UK305                    | 21.2 10.9 | 12.6            | HE2305X<br>H2305X  | 1.6        |
| 25                    | 1                     | 3.346<br>85  | 1 1/16<br>27  | 0.06<br>1.5 | 1 1/2<br>38   | UKC206      | C206        | UK206                    | 19.5 11.3 | 13.9            | H2306X<br>HE2306X  | 0.89       |
|                       | 1                     | 3.937<br>100 | 1 3/16<br>30  | 0.08<br>2   | 1 1/2<br>38   | UKCX06      | CX06        | UKX06                    | 25.7 15.4 | 13.9            | H2306X<br>HE2306X  | 1.3        |
|                       | 1                     | 3.937<br>100 | 1 7/64<br>28  | 0.08<br>2   | 1 1/2<br>38   | UKC306      | C306        | UK306                    | 26.7 15.0 | 13.3            | H2306X<br>HE2306X  | 1.8        |
| 30                    | 1 1/8                 | 3.543<br>90  | 1 7/64<br>28  | 0.08<br>2   | 1 11/16<br>43 | UKC207      | C207        | UK207                    | 25.7 15.4 | 13.9            | HS2307X<br>H2307X  | 1.0        |
|                       | 1 1/8                 | 4.331<br>110 | 1 11/32<br>34 | 0.08<br>2   | 1 11/16<br>43 | UKCX07      | CX07        | UKX07                    | 29.1 17.8 | 14.0            | HS2307X<br>H2307X  | 1.8        |
|                       | 1 1/8                 | 4.331<br>110 | 1 7/64<br>32  | 0.12<br>3   | 1 11/16<br>43 | UKC307      | C307        | UK307                    | 33.4 19.3 | 13.2            | HS2307X<br>H2307X  | 2.2        |
| 35                    | 1 1/4                 | 3.937<br>100 | 1 3/16<br>30  | 0.08<br>2   | 1 13/16<br>46 | UKC208      | C208        | UK208                    | 29.1 17.8 | 14.0            | HE2308X<br>HS2308X | 1.5        |
|                       | 1 3/8                 | 4.724<br>120 | 1 1/2<br>38   | 0.08<br>2   | 1 13/16<br>46 | UKCX08      | CX08        | UKX08                    | 34.1 21.3 | 14.0            | HE2308X<br>HS2308X | 2.4        |
|                       | 1 3/8                 | 4.724<br>120 | 1 11/32<br>34 | 0.12<br>3   | 1 13/16<br>46 | UKC308      | C308        | UK308                    | 40.7 24.0 | 13.2            | HE2308X<br>HS2308X | 2.2        |
| 40                    | 1 1/2                 | 4.331<br>110 | 1 7/32<br>31  | 0.08<br>2   | 1 31/32<br>50 | UKC209      | C209        | UK209                    | 34.1 21.3 | 14.0            | HE2309X<br>H2309X  | 1.8        |
|                       | 1 1/2                 | 4.724<br>120 | 1 1/2<br>38   | 0.08<br>2   | 1 31/32<br>50 | UKCX09      | CX09        | UKX09                    | 35.1 23.3 | 14.4            | HE2309X<br>H2309X  | 2.4        |
|                       | 1 1/2                 | 5.118<br>130 | 1 1/2<br>38   | 0.12<br>3   | 1 31/32<br>50 | UKC309      | C309        | UK309                    | 48.9 29.5 | 13.3            | HE2309X<br>H2309X  | 2.8        |
| 45                    | 1 3/4                 | 4.724<br>120 | 1 19/64<br>33 | 0.08<br>2   | 2 5/32<br>55  | UKC210      | C210        | UK210                    | 35.1 23.3 | 14.4            | HE2310X<br>H2310X  | 2.2        |
|                       | 1 3/4                 | 5.118<br>130 | 1 37/64<br>40 | 0.1<br>2.5  | 2 5/32<br>55  | UKCX10      | CX10        | UKX10                    | 43.4 29.4 | 14.4            | HE2310X<br>H2310X  | 2.9        |
|                       | 1 3/4                 | 5.512<br>140 | 1 37/64<br>40 | 0.12<br>3   | 2 5/32<br>55  | UKC310      | C310        | UK310                    | 62.0 38.3 | 13.2            | HE2310X<br>H2310X  | 3.2        |
| 50                    | 1 7/8                 | 4.921<br>125 | 1 3/8<br>35   | 0.1<br>2.5  | 2 5/16<br>59  | UKC211      | C211        | UK211                    | 43.4 29.4 | 14.4            | HS2311X<br>H2311X  | 2.7        |
|                       | 2                     | 5.906<br>150 | 1 21/32<br>42 | 0.1<br>2.5  | 2 5/16<br>59  | UKCX11      | CX11        | UKX11                    | 52.4 36.2 | 14.4            | HS2311X<br>H2311X  | 4.1        |

- Remarks
- In Part No. of unit and units with covers, fitting codes follow bore diameter numbers. (See Table 10.5 in P.62.)
  - Part No. of applicable grease fittings are shown below.  
A-1/4-28UNF ..... 205~213, X05~X12, 305~308  
A-R1/8 ..... 309~328
  - In Part No. of unit with adapters and bearing with adapters, Part No. of applicable adapter follow the Part No. shown in the dimensional tables.  
(Example of Part No. : UKC206J + H2306X, UK206 + H2306X)
  - As for the triple seal type product (205 is the double seal type product), suffix code L3 (or L2) follows the Part No. of unit or bearing.  
(Example of Part No. : UKC206JL3 + H2306X, UK206L3 + H2306X)
  - As for the dimensions and forms of applicable bearings and adapters, see the dimensional tables of ball bearing for unit and adapter.

$d_1$  (50) ~ 125 mm

| Shaft Dia.<br>mm inch | Dimensions<br>inch mm |               |                |            | Unit No.       | Housing No. | Bearing No. | Basic Load Ratings<br>kN |           | Factor<br>$f_0$ | Adapter No.                  | Mass<br>kg |
|-----------------------|-----------------------|---------------|----------------|------------|----------------|-------------|-------------|--------------------------|-----------|-----------------|------------------------------|------------|
|                       | $d_1$                 | H             | A              | r          |                |             |             | $B_1$                    | $C_r$     |                 |                              |            |
| 50                    | 1 7/8                 | 5.906<br>150  | 1 47/64<br>44  | 0.12<br>3  | 2 5/16<br>59   | UKC311      | C311        | UK311                    | 71.6 45.0 | 13.2            | HS2311X<br>H2311X<br>HE2311X | 4.1        |
|                       | 2                     | 5.118<br>130  | 1 1/2<br>38    | 0.1<br>2.5 | 2 7/16<br>62   | UKC212      | C212        | UK212                    | 52.4 36.2 | 14.4            | HS2312X<br>H2312X            | 3.1        |
| 55                    | 2 1/8                 | 6.299<br>160  | 1 47/64<br>44  | 0.1<br>2.5 | 2 7/16<br>62   | UKCX12      | CX12        | UKX12                    | 57.2 40.1 | 14.4            | HS2312X<br>H2312X            | 4.4        |
|                       | 2 1/8                 | 6.299<br>160  | 1 13/16<br>46  | 0.12<br>3  | 2 7/16<br>62   | UKC312      | C312        | UK312                    | 81.9 52.2 | 13.2            | HS2312X<br>H2312X            | 4.7        |
| 60                    | 2 1/4                 | 5.512<br>140  | 1 37/64<br>40  | 0.1<br>2.5 | 2 9/16<br>65   | UKC213      | C213        | UK213                    | 57.2 40.1 | 14.4            | HE2313X<br>H2313X<br>HS2313X | 3.3        |
|                       | 2 3/8                 | 6.693<br>170  | 1 31/32<br>50  | 0.12<br>3  | 2 9/16<br>65   | UKC313      | C313        | UK313                    | 92.7 59.9 | 13.2            | HE2313X<br>H2313X<br>HS2313X | 5.8        |
| 65                    | 2 1/2                 | 7.480<br>190  | 2 11/64<br>55  | 0.16<br>4  | 2 7/8<br>73    | UKC315      | C315        | UK315                    | 113 77.2  | 13.2            | HE2315X<br>H2315X            | 8.0        |
| 70                    | 2 3/4                 | 7.874<br>200  | 2 23/64<br>60  | 0.16<br>4  | 3 1/16<br>78   | UKC316      | C316        | UK316                    | 123 86.7  | 13.3            | HE2316X<br>H2316X            | 9.2        |
| 75                    | 3                     | 8.465<br>215  | 2 33/64<br>64  | 0.16<br>4  | 3 7/32<br>82   | UKC317      | C317        | UK317                    | 133 96.8  | 13.3            | H2317X<br>HE2317X            | 11.6       |
| 80                    | -                     | 8.858<br>225  | 2 19/32<br>66  | 0.16<br>4  | 3 3/8<br>86    | UKC318      | C318        | UK318                    | 143 107   | 13.3            | H2318X                       | 13.1       |
| 85                    | 3 1/4                 | 9.449<br>240  | 2 53/64<br>72  | 0.16<br>4  | 3 17/32<br>90  | UKC319      | C319        | UK319                    | 153 119   | 13.3            | HE2319X<br>H2319X            | 16.1       |
| 90                    | 3 1/2                 | 10.236<br>260 | 2 61/64<br>75  | 0.16<br>4  | 3 13/16<br>97  | UKC320      | C320        | UK320                    | 173 141   | 13.2            | HE2320X<br>H2320X            | 19.2       |
| 100                   | 4                     | 11.811<br>300 | 3 5/32<br>80   | 0.2<br>5   | 4 1/8<br>105   | UKC322      | C322        | UK322                    | 205 180   | 13.2            | H2322X<br>HE2322X            | 29.1       |
| 110                   | -                     | 12.598<br>320 | 3 35/64<br>90  | 0.2<br>5   | 4 13/32<br>112 | UKC324      | C324        | UK324                    | 207 185   | 13.5            | H2324                        | 36.2       |
| 115                   | 4 1/2                 | 13.386<br>340 | 3 15/16<br>100 | 0.24<br>6  | 4 3/4<br>121   | UKC326      | C326        | UK326                    | 229 214   | 13.6            | HE2326<br>H2326              | 42.8       |
| 125                   | -                     | 14.173<br>360 | 3 15/16<br>100 | 0.24<br>6  | 5 5/32<br>131  | UKC328      | C328        | UK328                    | 253 246   | 13.6            | H2328                        | 52.9       |

Variations of tolerance of outside diameter ( $\Delta H_7$ ), variations of tolerance of width ( $\Delta A_7$ ), and tolerance of circumferential runout of outside diameter (Y)

| Housing No. |           | $\Delta H_7$ | $\Delta A_7$ | Y   |
|-------------|-----------|--------------|--------------|-----|
| C205        |           | 0<br>-0.030  |              |     |
| C206~C210   | CX05~CX08 | 0<br>-0.035  | ±0.2         | 0.2 |
|             | C305~C308 | 0<br>-0.035  |              |     |
| C211~C213   | CX09~CX10 | 0            | ±0.3         | 0.3 |
|             | C309~C310 | 0            |              |     |
| C211~C213   | CX11~CX12 | 0<br>-0.040  | ±0.3         | 0.4 |
|             | C311~C314 | 0<br>-0.040  |              |     |
|             | C315~C318 | 0<br>-0.046  |              |     |
|             | C319      | 0<br>-0.052  |              |     |
| C211~C213   | C320~C322 | 0<br>-0.052  | ±0.3         | 0.4 |
|             | C324~C328 | 0<br>-0.057  |              |     |