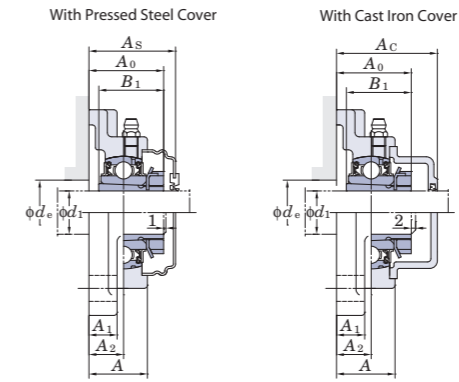
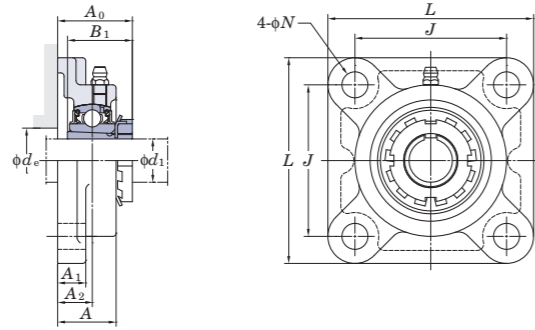


UKF
Tapered bore (with adapter)
 d_1 20 ~ (50) mm



Variations of tolerance of distance from mounting surface to center of spherical bore (ΔA_{2s}) and tolerance of position of bolt hole (X)

Housing No.			ΔA_{2s}	X
F205~F210	FX05~FX10	F305~F310	± 0.5	0.7
F211~F218	FX11~FX20	F311~F328	± 0.8	1

Variations of tolerance of bolt hole diameter (ΔD_{1s})

Housing No.			ΔD_{1s}
F205~F218	FX05~FX18	F305~F315	± 0.2
	FX20	F316~F328	± 0.3

Shaft Dia. mm inch	Dimensions inch mm										Bolt Size inch mm	Standard			Adapter No.	Mass kg	Basic			Factor f_0	With Pressed Steel Cover			With Cast Iron Cover		
	L	A	J	N	A_1	A_2	A_0	B_1	d_e (min.)	Unit No.		Housing No.	Bearing No.	Load Ratings kN C_r C_{0r}			Unit No. Open Type Closed Type	Dimension mm inch A_s	Mass kg		Unit No. Open Type Closed Type	Dimension mm inch A_c	Mass kg			
20 $3/4$	$3\ 3/4$	$1\ 1/16$	$2\ 3/4$	$15/32$	$1/2$	$5/8$	$1\ 13/32$	$1\ 3/8$	$1\ 3/16$	$3/8$	UKF205	F205	UK205	HE2305X H2305X	0.87 0.87	14.0 7.85	13.9	— — —	— — —	— — —						
	95	27	70	12	13	16	36	35	30	M10	UKFX05	FX05	UKX05	HE2305X H2305X	1.2 1.2	19.5 11.3	13.9	UKF205C UKF205D	40.5 $1\ 19/32$	0.87	UKF205FC UKF205FD	49 $1\ 15/16$	1.1			
	$4\ 1/4$	$1\ 3/16$	$3\ 17/64$	$15/32$	$1/2$	$45/64$	$1\ 9/16$	$1\ 3/8$	$1\ 3/16$	$3/8$	UKF305	F305	UK305	HE2305X H2305X	1.4 1.4	21.2 10.9	12.6	— — —	— — —	— — —						
25 1	$4\ 11/32$	$1\ 5/32$	$3\ 5/32$	$5/8$	$1/2$	$5/8$	$1\ 15/32$	$1\ 3/8$	—	$1/2$	UKF206	F206	UK206	HE2306X H2306X	1.3 1.3	19.5 11.3	13.9	— — —	— — —	— — —						
	110	29	80	16	13	16	37.5	35	—	M14	UKFX06	FX06	UKX06	HE2306X H2306X	1.6 1.6	25.7 15.4	13.9	UKF206C UKF206D	44.5 $1\ 3/4$	1.3	UKF206FC UKF206FD	54 $2\ 1/8$	1.7			
	$4\ 19/32$	$1\ 1/4$	$3\ 47/64$	$5/8$	$9/16$	$3/4$	$1\ 21/32$	$1\ 1/2$	$1\ 13/32$	$1/2$	UKF306	F306	UK306	HE2306X H2306X	1.9 1.9	26.7 15.0	13.3	— — —	— — —	— — —						
30 $1\ 1/8$	$4\ 29/32$	$1\ 1/4$	$3\ 47/64$	$5/8$	$19/32$	$45/64$	$1\ 5/8$	$1\ 1/2$	—	$1/2$	UKF207	F207	UK207	HS2307X H2307X	1.6 1.6	25.7 15.4	13.9	— — —	— — —	— — —						
	117	34	92	14	15	19	43	43	41	M12	UKFX07	FX07	UKX07	HS2307X H2307X	2.0 2.0	29.1 17.8	14.0	UKF207C UKF207D	49 $1\ 15/16$	1.6	UKF207FC UKF207FD	58 $2\ 9/32$	2.0			
	$5\ 1/8$	$1\ 1/2$	$4\ 1/64$	$5/8$	$9/16$	$53/64$	$1\ 27/32$	$1\ 11/16$	$1\ 5/8$	$1/2$	UKF307	F307	UK307	HS2307X H2307X	2.3 2.3	33.4 19.3	13.2	— — —	— — —	— — —						
35 $1\ 1/4$	$5\ 1/8$	$1\ 13/32$	$4\ 1/64$	$5/8$	$19/32$	$53/64$	$1\ 7/8$	$1\ 13/16$	$1\ 13/16$	$1/2$	UKF208	F208	UK208	HE2308X HS2308X H2308X	1.9 1.9 1.9	29.1 17.8	14.0	— — —	— — —	— — —						
	130	36	102	16	15	21	48	46	46	M14	UKFX08	FX08	UKX08	HE2308X HS2308X H2308X	2.3 2.3 2.3	34.1 21.3	14.0	UKF208C UKF208D	55.5 $2\ 3/16$	1.9	UKF208FC UKF208FD	64 $2\ 17/32$	2.3			
	$5\ 13/32$	$1\ 9/16$	$4\ 9/64$	$3/4$	$9/16$	$55/64$	$1\ 31/32$	$1\ 13/16$	$1\ 13/16$	$5/8$	UKF308	F308	UK308	HE2308X HS2308X H2308X	3.1 3.1 3.1	40.7 24.0	13.2	— — —	— — —	— — —						
40 $1\ 1/2$	$5\ 29/32$	$1\ 9/16$	$4\ 13/32$	$3/4$	$21/32$	$29/32$	2	$1\ 13/16$	—	$5/8$	UKF209	F209	UK209	HE2309X H2309X H2309X	2.3 2.3 2.7	34.1 21.3	14.0	— — —	— — —	— — —						
	137	38	105	16	16	22	51	50	52	M14	UKFX09	FX09	UKX09	HE2309X H2309X H2309X	2.7 2.7 2.7	35.1 23.3	14.4	UKF209C UKF209D	56.5 $2\ 7/32$	2.3	UKF209FC UKF209FD	66 $2\ 19/32$	2.8			
	$6\ 5/16$	$1\ 23/32$	$4\ 59/64$	$3/4$	$23/32$	$63/64$	$2\ 5/32$	$1\ 31/32$	—	$5/8$	UKF309	F309	UK309	HE2309X H2309X	4.1 4.1	48.9 29.5	13.3	— — —	— — —	— — —						
45 $1\ 3/4$	$6\ 1/2$	$1\ 23/32$	$4\ 59/64$	$3/4$	$23/32$	$63/64$	$2\ 5/32$	$1\ 31/32$	—	$5/8$	UKF210	F210	UK210	HE2310X H2310X	2.6 2.6	35.1 23.3	14.4	— — —	— — —	— — —						
	143	40	111	16	16	22	52	55	58	M14	UKFX10	FX10	UKX10	HE2310X H2310X	3.6 3.6	43.4 29.4	14.4	UKF210C UKF210D	59 $2\ 5/16$	2.6	UKF210FC UKF210FD	70.5 $2\ 25/32$	3.1			
	$6\ 7/8$	$1\ 23/32$	$5\ 1/8$	$3/4$	$25/32$	$1\ 1/32$	$2\ 9/32$	$2\ 5/32$	$2\ 9/32$	$5/8$	UKF310	F310	UK310	HE2310X H2310X	5.1 5.1	62.0 38.3	13.2	— — —	— — —	— — —						
50 $1\ 7/8$	$6\ 7/8$	$1\ 7/8$	$5\ 13/64$	$29/32$	$3/4$	$1\ 7/64$	$2\ 3/8$	$2\ 5/32$	—	$3/4$	UKF211	F211	UK211	HS2311X H2311X HE2311X	3.5 3.5 3.5	43.4 29.4	14.4	— — —	— — —	— — —						
	162	43	130	19	18	25	57.5	59	64	M16	UKFX11	FX11	UKX11	HS2311X H2311X HE2311X	4.6 4.6 4.6	52.4 36.2	14.4	UKF211C UKF211D	63 $2\ 15/32$	3.5	UKF211FC UKF211FD	74.5 $2\ 15/16$	4.1			
	$6\ 7/8$	$1\ 15/16$	$5\ 5/8$	$3/4$	$25/32$	$1\ 9/64$	$2\ 17/32$	$2\ 5/16$	$2\ 17/32$	$5/8$	UKF311	F311	UK311	HS2311X H2311X HE2311X	4.6 4.6 4.6	52.4 36.2	14.4	— — —	— — —	— — —						

Remarks 1. In Part No. of unit and units with covers, fitting codes follow bore diameter numbers. (See Table 10.5 in P.62.)
2. Part No. of applicable grease fittings are shown below.
A-1/4-28UNF 205~210, X05~X09, 305~308
A-R1/8 211~218, X10~X20, 309~328

3. In Part No. of unit with adapters and bearing with adapters, Part No. of applicable adapter follow the Part No. shown in the dimensional tables. (Example of Part No. : UKF206J + H2306X, UK206 + H2306X)
4. As for the triple seal type product (205 is the double seal type product), suffix code L3 (L2) follows the Part No. of unit or bearing. (Example of Part No. : UKF206JL3 + H2306X, UK206L3 + H2306X)
5. For the dimensions and forms of applicable bearings and adapters, see the dimensional tables of ball bearing for unit and adapter.
6. Housings of nodular graphite cast iron are also available.