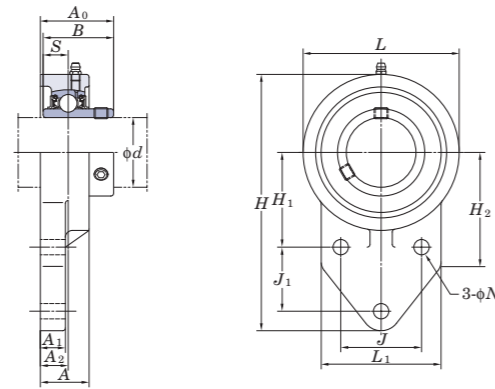


UCFB
Cylindrical bore (with set screws)
 d 12 ~ 50 mm



Shaft Dia. mm d	inch	Dimensions														Bolt Size inch mm	Unit No.	Housing No.	Bearing No.	Basic Load Ratings kN		Factor f_0	Mass kg						
		H	L	A	J	J_1	N	H_1	H_2	L_1	A_1	A_2	A_0	B	S					C_r	C_{0r}								
12	1/2																5/16	UCFB201 UCFB201-8 UCFB202 UCFB202-10 UCFB203 UCFB204-12 UCFB204	FB204	UC201 UC201-8 UC202 UC202-10 UC203 UC204-12 UC204	12.8	6.65	13.2	0.64 0.62 0.61 0.59					
15	5/8	4 11/32	2 7/16	1 5/16	1 17/64	1 1/16	3/8	1 21/32	2 1/16	2 1/16	1/2	17/32	1 1/4	1.220	0.500														
17	3/4	110	62	24.5	32	27	9.5	42	52	52	13	13.5	31.8	31	12.7														
20																	5/16	UCFB205-14 UCFB205-15 UCFB205 UCFB205-16 UCFB206-18	FB205	UC205-14 UC205-15 UC205 UC205-16 UC206-18	14.0	7.85	13.9	0.68					
25	7/8	4 9/16	2 11/16	1 1/16	1 11/32	1 1/16	3/8	1 49/64	2 1/16	2 7/32	1/2	19/32	1 3/8	1.343	0.563														
	1 1/8	116	68	27	34	27	9.5	45	52	56	13	15	34.8	34.1	14.3														
30	1 3/16	5 1/8	3 1/16	1 3/16	1 37/64	1 9/64	3/8	1 31/32	2 5/32	2 9/16	1/2	43/64	1 17/32	1.500	0.626														
	1 1/4	130	78	30	40	29	9.5	50	55	65	13	17	39.2	38.1	15.9														
35	1 5/16	5 21/32	3 17/32	1 5/16	1 13/16	1 17/64	3/8	2 11/64	2 7/16	2 3/4	19/32	3/4	1 3/4	1.689	0.689														
	1 7/16	144	90	33.5	46	32	9.5	55	62	70	15	19	44.4	42.9	17.5														
40	1 1/2	6 15/32	3 15/16	1 3/8	1 31/32	1 39/64	7/16	2 23/64	2 27/32	3 1/16	5/8	25/32	1 31/32	1.937	0.748														
	1 9/16	164	100	35	50	41	11	60	72	78	16	20	50.2	49.2	19														
45	1 5/8	6 27/32	4 3/16	1 3/8	2 1/8	1 11/16	7/16	2 9/16	3	3 5/32	23/32	25/32	1 31/32	1.937	0.748														
	1 3/4	174	106	35.5	54	43	11	65	76	80	18	20	50.2	49.2	19														
50	1 7/8	7 1/4	4 13/32	1 7/16	2 9/32	1 13/16	7/16	2 43/64	3 7/32	3 3/8	23/32	25/32	2 1/16	2.031	0.748														
	2	184	112	36	58	46	11	68	82	86	18	20	52.6	51.6	19														

Remarks 1. In Part No. of unit and units with covers, fitting codes follow bore diameter codes. (See Table 10.5 in P.62.)
2. Part No. of applicable grease fitting is A-1/4-28UNF.
3. As for the triple seal type product (from 201 to 205 are the double seal type products), suffix code L3 (or L2) follows Part No. of unit or bearing. (Example of Part No. : UCFB206JL3, UC206L3)

4. For the dimensions and forms of applicable bearings, see the dimensional tables of ball bearing for unit.
5. Tapered bore (with adapter) type products are also available. (Example of Part No. : UKFB205J + H2305X, UK205 + H2305X)

Variations of tolerance of distance from mounting surface to center of spherical bore (ΔA_{2s}), variations of tolerance of distance between centers of bolt holes (ΔJ_s , ΔJ_{1s}), variations of tolerance of distance between both grooves (ΔH_{1s})

Housing No.	ΔA_{2s}	ΔJ_s	ΔJ_{1s}	ΔH_{1s}
FB204~FB210	±0.5			

Unit: mm

Variations of tolerance of bolt hole diameter (ΔN_s)

Housing No.	ΔN_s
FB204~FB210	±0.2

Unit: mm