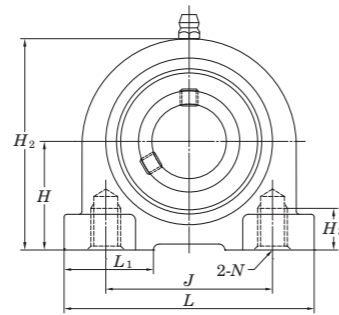
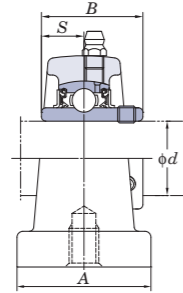


UCPA
Cylindrical bore (with set screws)
d 12 ~ 50 mm



Variations of tolerance of distance from mounting bottom to center of spherical bore (ΔH_s) and variations of tolerance of distance between centers of bolt holes (ΔL_s)

Housing No.	ΔH_s	ΔL_s
PA204~PA210	±0.15	±0.5

Unit: mm

Shaft Dia. mm inch d	Dimensions inch mm										Unit No.	Housing No.	Bearing No.	Basic Load Ratings kN		Factor f ₀	Mass kg
	H	L	A	J	N	H ₂	H ₃	L ₁	B	S				C _r	C _{0r}		
12 1/2											UCPA201 UCPA201-8 UCPA202 UCPA202-10 UCPA203 UCPA204-12 UCPA204	PA204	UC201 UC201-8 UC202 UC202-10 UC203 UC204-12 UC204	12.8	6.65	13.2	0.64 0.62 0.61 0.59
15 5/8	1 3/16	3	1 9/16	2 3/64	M10×1.5	2 3/8	1/2	1 1/16	1.220	0.500	UCPA205-14 UCPA205-15 UCPA205 UCPA205-16 UCPA206-18 UCPA206 UCPA206-19 UCPA206-20	PA205	UC205-14 UC205-15 UC205 UC205-16 UC206-18 UC206 UC206-19 UC206-20	14.0	7.85	13.9	0.83
17 3/4	30.2	76	40	52	M10×1.5	60	13	27	31	12.7	UCPA207-20 UCPA207-21 UCPA207-22 UCPA207 UCPA207-23 UCPA208-24 UCPA208-25 UCPA208	PA207	UC207-20 UC207-21 UC207-22 UC207 UC207-23 UC208-24 UC208-25 UC208	25.7	15.4	13.9	0.61 0.59
20											UCPA209-26 UCPA209-27 UCPA209-28 UCPA209	PA209	UC209-26 UC209-27 UC209-28 UC209	34.1	21.3	14.0	0.59
25 7/8 15/16	1 7/16	3 5/16	1 25/32	2 13/64	M10×1.5	2 25/32	1/2	1 3/16	1.343	0.563	UCPA210-30 UCPA210-31 UCPA210 UCPA210-32	PA210	UC210-30 UC210-31 UC210 UC210-32	35.1	23.3	14.4	0.83
25 1	36.5	84	45	56	M10×1.5	71	13	30	34.1	14.3							
30 1 1/8 1 3/16 1 1/4	1 11/16	3 11/16	1 31/32	2 19/32	M14×2	3 5/16	23/32	1 13/32	1.500	0.626							
30 1 3/16 1 1/4	42.9	94	50	66	M14×2	84	18	36	38.1	15.9							
35 1 1/4 1 5/16 1 3/8	1 7/8	4 11/32	2 5/32	3 5/32	M14×2	3 21/32	25/32	1 5/8	1.689	0.689							
35 1 7/16	47.6	110	55	80	M14×2	93	20	41	42.9	17.5							
40 1 1/2 1 9/16	1 15/16	4 9/16	2 9/32	3 5/16	M14×2	3 27/32	25/32	1 5/8	1.937	0.748							
40 1 9/16	49.2	116	58	84	M14×2	98	20	41	49.2	19							
45 1 5/8 1 11/16 1 3/4	2 9/64	4 23/32	2 3/8	3 35/64	M14×2	4 3/16	31/32	1 21/32	1.937	0.748							
45 1 3/4	54.2	120	60	90	M14×2	106	25	42	49.2	19							
50 1 7/8 1 15/16 2	2 1/4	5 1/8	2 17/32	3 45/64	M16×2	4 7/16	31/32	1 27/32	2.031	0.748							
50 2	57.2	130	64	94	M16×2	113	25	47	51.6	19							

Remarks 1. In Part No. of unit, fitting codes follow bore diameter codes. (See Table 10.5 in P.62.)
2. Part No. of the applicable grease fitting is A-1/4-28UNF.
3. As for the triple seal type product (from 201 to 205 are the double seal type products), suffix code L3 (or L2) follows Part No. of unit or bearing. (Example of Part No. : UCPA206JL3, UC206L3)

4. As for the dimensions and forms of applicable bearings, see the dimensional tables of ball bearing for unit.
5. Tapered bore (with adapter) type products are also available. (Example of Part No. : UKPA205J + H2305X, UK205 + H2305X)
6. Housings of nodular graphite cast iron are also available.