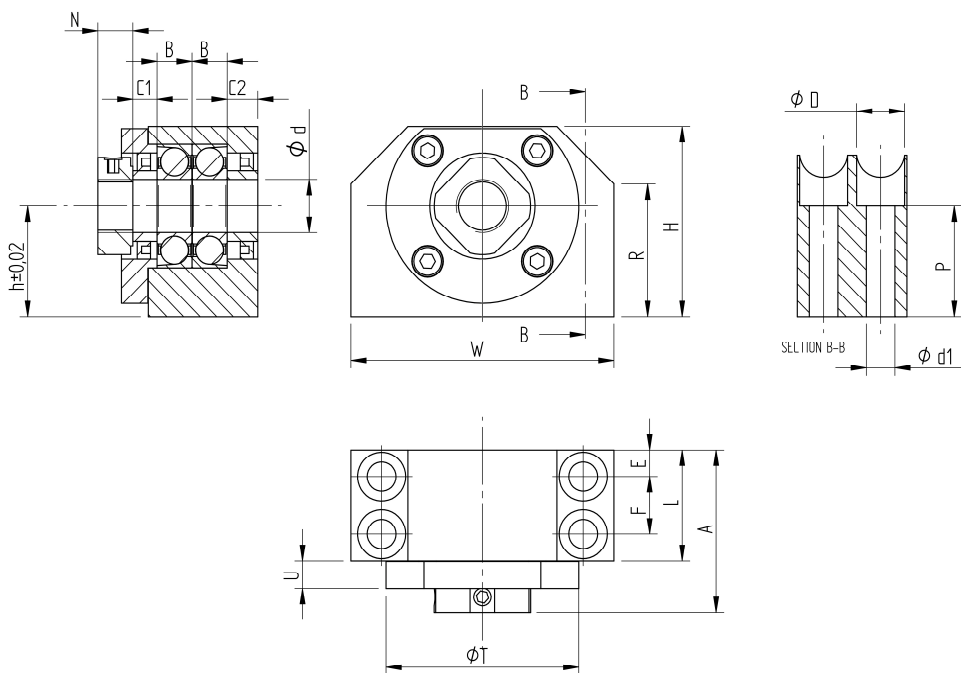
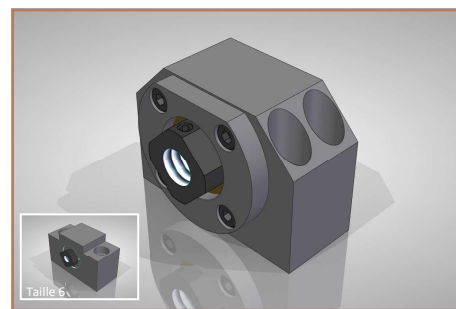


Palier support de vis BK _ E (DB)



| Références | d | h ±0.02 | W | H | L | R | T | U | B | C1 | C2 | N | E | F | d1 | D | P | Poids (Kg) |
|---------------------|----|------------|-----|-----|----|------|-----|----|----|-----|-----|-----|------|----|------|----|------|---------------|
| BK 6 E (DB) | 6 | 17 | 52 | 32 | 23 | - | - | - | 6 | 5.5 | 5.5 | 5.7 | 11,5 | - | 6.6 | 11 | 20.5 | 0.15 |
| BK 8 E (DB) | 8 | 17 | 52 | 32 | 23 | 18.5 | 34 | 5 | 7 | 6 | 6 | 6 | 11.5 | - | 6.6 | 11 | 14 | 0.17 |
| BK 10 E (DB) | 10 | 22 | 60 | 39 | 25 | 26 | 43 | 6 | 8 | 7 | 7 | 8 | 6 | 13 | 6.6 | 11 | 19 | 0.41 |
| BK 12 E (DB) | 12 | 25 | 60 | 43 | 25 | 30 | 44 | 6 | 8 | 5.5 | 7 | 8 | 6 | 13 | 6.6 | 11 | 25 | 0.44 |
| BK 15 E (DB) | 15 | 28 | 70 | 48 | 27 | 33 | 55 | 7 | 9 | 7 | 7 | 8 | 6 | 15 | 6.6 | 11 | 29 | 0.64 |
| BK 17 E (DB) | 17 | 39 | 86 | 64 | 35 | 46 | 66 | 9 | 12 | 10 | 10 | 10 | 8 | 19 | 9 | 15 | 39 | 1.30 |
| BK 20 E (DB) | 20 | 34 | 88 | 60 | 35 | 42 | 66 | 9 | 12 | 9 | 9 | 10 | 8 | 19 | 9 | 15 | 35 | 1.22 |
| BK 25 E (DB) | 25 | 48 | 106 | 80 | 42 | 59 | 83 | 11 | 15 | 10 | 10 | 12 | 10 | 22 | 11 | 18 | 50 | 2.38 |
| BK 30 E (DB) | 30 | 51 | 128 | 89 | 45 | 63 | 96 | 12 | 16 | 11 | 11 | 12 | 11 | 23 | 13.5 | 20 | 54 | 3.33 |
| BK 40 E (DB) | 40 | 60 | 160 | 110 | 61 | 80 | 119 | 15 | 18 | 16 | 16 | 14 | 14 | 33 | 17.5 | 26 | 64 | 6.66 |

Composition des paliers :

- 1 corps de palier
- 2 roulements
- 1 flasque
- 2 entretoises
- 2 joints racleurs
- 1 écrou frein à filet rectifié